

AE-DI5042-G4 Industry Dashcam



- Up to 1080P resolution, with 108° FOV
- Supports GPS and speed overlay on picture
- Built-in Wi-Fi module, supports Wi-Fi AP
- Supports 4G network
- Supports dual-TF card storage and recording overwrite
- Supports preview, playback and editing parameters via APP
- Supports connecting to HCP & HCC for uploading and playback
- Adopts build-in Gyroscope
- Compatible with 4-ch TVI Camera
- Supports object detection, driving safety monitoring etc.
- Easy installation and operation
- Low power consumption and high performance

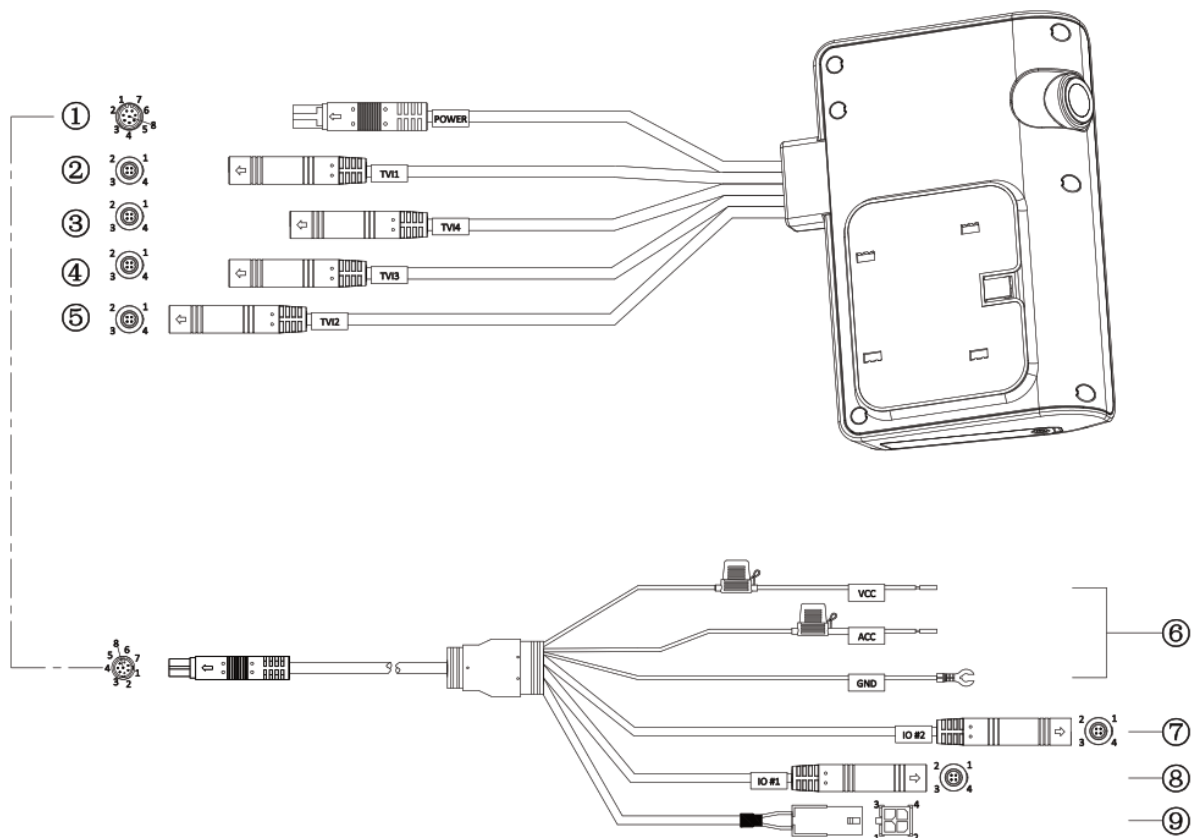
▪ Specification

Camera	
Image Sensor	1/2.5" Progressive Scan CMOS
Min. Illumination	0.01 Lux @ (AGC ON)
Shutter Speed	1/3 s to 1/100,000 s
Lens	
Focal Length	Fixed focal lens, 3.35mm
FOV	Horizontal FOV: 108° Vertical FOV: 56° Diagonal FOV: 135°
Lens Mount	M12
Max. Aperture	F2.0
Video	
Video Input	5-channel video (default: 1 channel; extension: 4 channels)
Main Stream	CH1: 25fps 1080P 1920 × 1080 (default) 25fps 720P 1280 × 720 CH2~CH5: 25fps 720P 1280 × 720 (default)
Sub-Stream	CH1: 25fps 720P 1280×720 25fps 480P 640×480 (default) CH2~CH5: 25fps 480P 640×480 (default)
Video Compression	H.264 (default) H.265
Audio	
Audio Input	1-channel audio
Audio Compression	G711U (Default) G711A AAC
Built-in Mic	Omnidirectional pickup, frequency response 100-20000 Hz
Built-in Speaker	Max 0.8 W, with adjustable volume, not less than 50 dB at 1 m distance
Wi-Fi	
Wi-Fi Protocol	IEEE 802.11b/g/n
Frequency Range	2.4 GHz
Mobile Communication	
SIM Card Slot	1, Industry Micro SIM, Plug-in type

Dial-up	<p>Baseline :</p> <p>FDD-LTE: B1, B3, B5, B8 TDD-LTE: B38, B39, B40, B41 TD-SCDMA: B34, B39 UMTS: B1, B8 EV-DO: BC0 CDMA 1x: BC0 GSM/GPRS/EDGE: 900/1800 MHz</p> <p>Australia :</p> <p>FDD-LTE: B1, B3, B5, B7, B28 TDD-LTE: B40 UMTS: B1, B5</p> <p>Europe :</p> <p>FDD-LTE: B1, B3, B5, B7, B8, B20 TDD-LTE: B40 UMTS: B1, B8 GSM/GPRS/EDGE: 900/1800 MHz</p> <p>Latin America :</p> <p>FDD-LTE: B1, B2, B3, B4, B5, B7, B8, B10, B28, B66 TDD-LTE: B38, B40, B41 UMTS: B1, B2, B4, B5, B8 GSM/GPRS/EDGE: 850/900/1800/1900 MHz</p> <p>Warning: The industrial SIM card (MP2) is required, and the ordinary SIM card (MP1) is prohibited. We are not responsible for any problem caused by the use of any ordinary SIM card.</p>
Image	
SNR	40 dB
Wide Dynamic Range (WDR)	Supports Digital WDR
Image Settings	Adjustable brightness, chroma, contrast, color saturation, and sharpness
OSD	Date, Time, GPS, Speed, etc.
Interface	
Local Storage	Dual TF Card (up to 256 GB for each) Class10 or above is recommended
USB Interface	1, Mini USB 2.0, used for connecting to peripheral device
Reset Key	1, Pinhole button
Alarm Input	2
RS-232	1
Satellite Positioning	
GPS Information Detection	BDS (BeiDou Navigation Satellite System) GPS (Global Positioning System)

Indicator	
Indicator	<p>Wi-Fi Status Indicator</p> <p>Off: Wi-Fi AP closed</p> <p>Low Frequency Flashing blue: Wi-Fi AP open but no APP connection</p> <p>High Frequency Flashing blue: Wi-Fi AP open and APP connection normal</p> <p>Network Status Indicator (4G)</p> <p>Off: No 4G signal</p> <p>Steady white: 4G signal and the platform connection normal</p> <p>Flashing white: 4G signal normal but no platform connection</p> <p>Recording Status Indicator(REC)</p> <p>Off: The built-in or extended camera stops / fails</p> <p>Steady white: The built-in or extended camera is recording normally</p>
General	
System	Embedded Linux
Language	Currently only supports English *The language includes APP interface language and voice reminder.
Product Dimension	124.0 mm × 82.0 mm × 33.0 mm (4.9" × 3.2" × 1.3")
Product Weight	Approx. 300 g (0.7 lb.)
Image format	JPEG
Power Supply	9 to16V , support 12/24V with the buck line
Package Dimension	223 mm×153 mm×63 mm (8.8"×6.0"×2.5")
Operating Temperature	-20°C to 45°C (-4°F to 113°F)
Protection	IP4X *The dash camera is non-waterproof
With Package Weight	Approx. 600 g (1.3 lb.)
Power Interface	1, 8-pin BM Male Terminal
Sensor	Six-axis G-Sensor *Harsh acceleration, Harsh deceleration and Harsh cornering
Operating Humidity	10% to 95% (non-condensing)

▪ Cable Interfaces



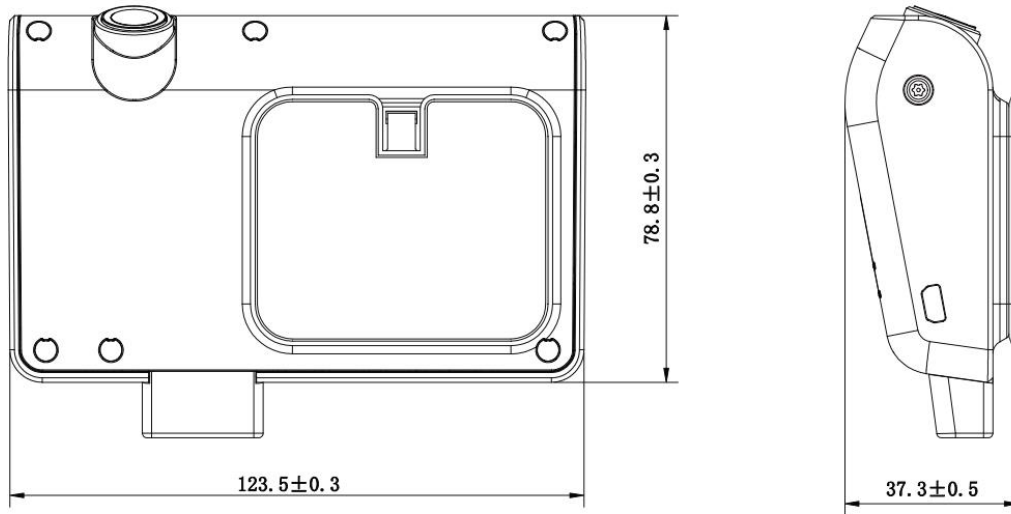
No	Interface Name	Interface Form	Interface Definition
①	POWER	8-pin BM Male Terminal	1-RXD 2-TXD 3-GND 4-IO#2 5-IO#1 6-ACC 7-12V 8-GND
②	TVI1	4-pin BM Male Terminal	1-12VOUT 2-GND 3-TVI 4-AUDIO
③	TVI4	4-pin BM Male Terminal	1-12VOUT 2-GND 3-TVI 4-NULL
④	TVI3	4-pin BM Male Terminal	1-12VOUT 2-GND 3-TVI 4-NULL
⑤	TVI2	4-pin BM Male Terminal	1-12VOUT 2-GND 3-TVI 4-NULL
⑥	VCC	Half Stripped Lines	/
⑥	ACC	Half Stripped Lines	/
⑥	GND	FORK Naked Terminal	/
⑦	I/O #2	4-pin BM Male Terminal	1-IO#2

			2-GND 3-NULL 4-NULL
⑧	I/O #1	4-pin BM Male Terminal	1-IO#1 2-GND 3-NULL 4-NULL
⑨	RS232 Serial Port	MOLEX	1-NULL 2-GND 3-TXD 4-RXD

▪ Available Model

- AE-DI5042-G4(O-STD)(GPS+4G)(Lite)
- AE-DI5042-G4(O-STD)(GPS+4G)(AI)
- AE-DI5042-G4(O-STD)(AU)(GPS+4G)(AI)(232)
- AE-DI5042-G4(O-STD)(EU)(GPS+4G)(AI)(232)
- AE-DI5042-G4(O-STD)(AU)(GPS+4G)(AI)(CAN)
- AE-DI5042-G4(O-STD)(AU)(GPS+4G)(Lite)232
- AE-DI5042-G4(O-STD)(AU)(GPS+4G)(Lite)CAN
- AE-DI5042-G4(O-STD)(EU)(GPS+4G)(AI)(CAN)
- AE-DI5042-G4(O-STD)(EU)(GPS+4G)(Lite)232
- AE-DI5042-G4(O-STD)(EU)(GPS+4G)(Lite)CAN
- AE-DI5042-G4(O-NEU)(GPS+4G)(Lite)
- AE-DI5042-G4(O-STD)(LA)(GPS+4G)(AI)232
- AE-DI5042-G4(O-STD)(LA)(GPS+4G)Lite/232

▪ **Dimension**



Unit: mm

▪ **Accessory**

▪ **Optional**

AE-DF7252	AE-VC143T-ITS	AE-VC154T-IT
		

Headquarters

No.555 Qianmo Road, Binjiang District,
Hangzhou 310051, China
T +86-571-8807-5998
www.hikvision.com



Follow us on social media to get the latest product and solution information.

