

DHI-ARA13-W2

Wireless outdoor siren



System Overview

Wireless outdoor siren is an outdoor siren that alarms loudly when an alarm event occurs, attracting the attention of everyone within its vicinity. It features danger warning, intrusion determent, and is used in outdoor scenes such as in villas, homes, and on streets.

Scene

It is ideal for scenarios such as villas, apartments and streets.

Technical Specification

Function

Indicator Light	1 × green pairing indicator 12 × alarm LED groups
Button	1 × power switch
Buzzer	1 × buzzer
Remote Update	Cloud update
Low Battery Detection	Yes
Battery Level Display	Yes
Tamper	Yes
Signal Strength	Signal strength detection

Wireless

Carrier Frequency	433.1 MHz–434.6 MHz
Transmitter Power (EIRP)	Limit 10 mW
Communication Distance	Up to 1,200 m (3,937.01 ft) in an open space
Communication Mechanism	Two-way

- IP65 rated.
- Outdoor product (−25 °C to +60 °C).
- 12 VDC and battery power supply.
- Multiple alarm sounds: Fire, medical, intrusion, panic, and more.
- Sound pressure level: $95.2 \leq \text{LAFmax [dB(A)]} \leq 104.9$.
- Temperature monitoring.
- Frequency hopping and two-way communication.
- Cloud update and automatic recovery from update failure.

Frequency Hopping	Yes
Encryption Mode	AES128

General

Power Supply Mode	Battery (default), 12 VDC
Battery Model	CR123A
Battery Life	4 CR123A batteries can be used for 3.4 years (if triggered fortnightly and the alarm sounds for 120 s each time with a battery efficiency of 80%)
Operating Temperature	−25 °C to +60 °C (−13 °F to +140 °F)
Operating Humidity	10%–90% (RH)
Product Dimensions	200 mm × 200 mm × 52.5 mm (7.87" × 7.87" × 2.07") (L × W × H)
Packaging Dimensions	255 mm × 239 mm × 64 mm (10.04" × 9.41" × 2.52") (L × W × H)
Net Weight	610 g (1.34 lb)
Gross Weight	920 g (2.03 lb)
Installation	Wall mount
Casing	PC + ABS
Protection	IP65
Certifications	CE; FCC

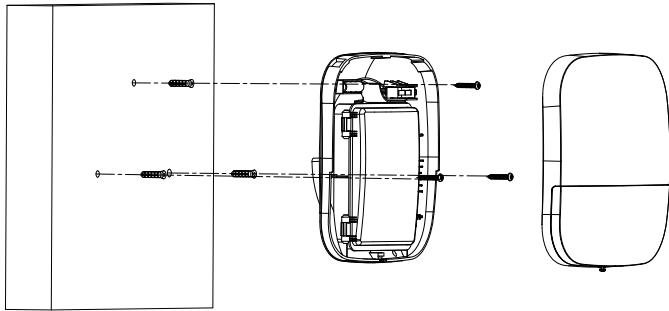
Technical

Scenario	Outdoor
Operating Current	Max 1.4 A, 92 uA (standby), battery 3 V Max 1 A, 7.3 mA (standby), 12 VDC
Sound and Light Alarm	Light alarm and multiple alarm sounds, including fire, medical, intrusion, panic, and more.
Sound Pressure	$95.2 \leq \text{LAFmax [dB(A)]} \leq 104.9$ (EN 50131-4:2019)

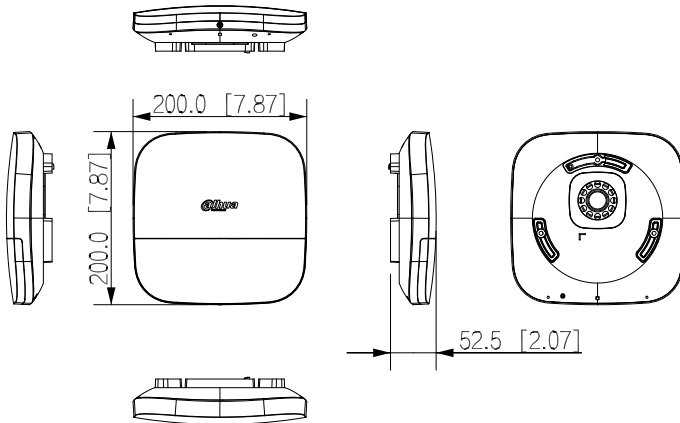
Ordering Information

Type	Model	Description
Wireless outdoor siren	DHI-ARA13-W2	Wireless outdoor siren

Installation



Dimensions (mm[inch])



Application

Wireless Door Detector

Wireless PIR Detector

Wireless Keyfob

Wireless Single Channel



RF433



Alarm Hub



RF433



Wireless Outdoor Sensor